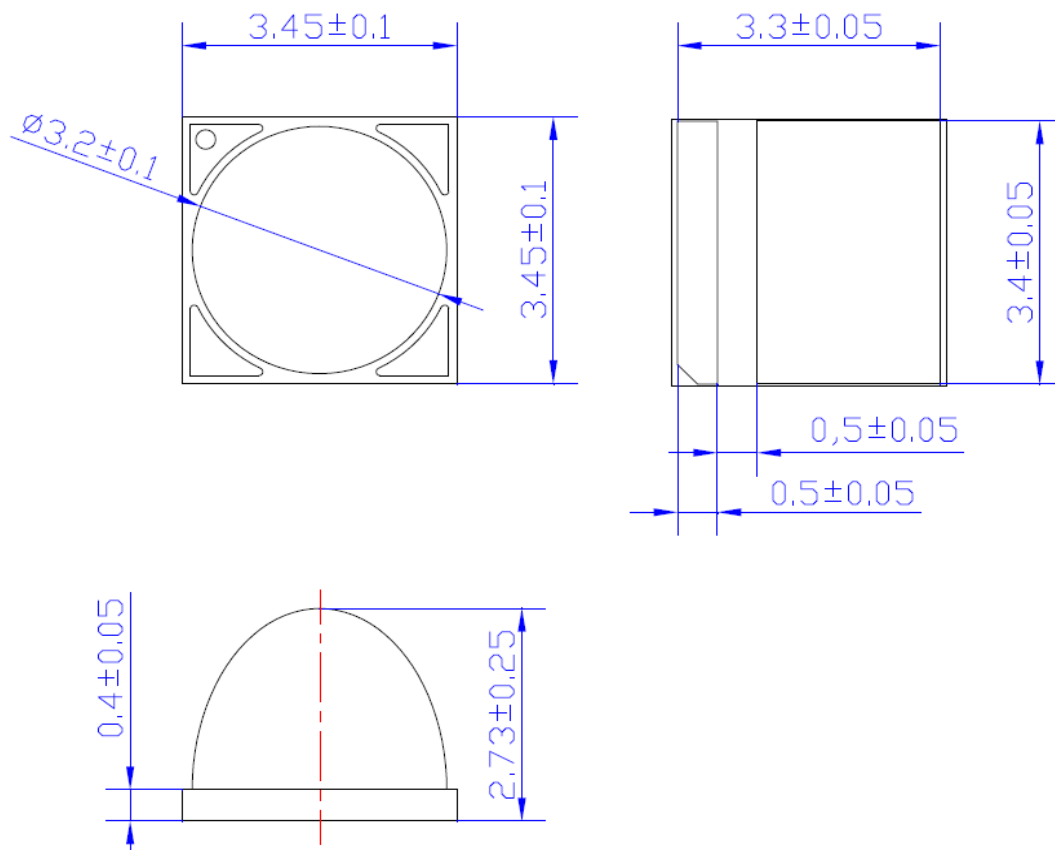


Infrared led 3535 45 angle

1-3W high power SMD 3535 chip led narrow angles 45 degree or 60 degrees.



Brand Name: ALLIGHT

Star Board: Aluminum nitride support, good heat dissipation

Size: 3.45X3.45*2.75MM

Warranty: 3years

Other Service: OEM & OEM, Customized Specification, One to One & nbsp; Commu
nication, Free Sample

Certificate: RoHS CE, ISO9001:2008

Lead Time: 3-7 Days from Deposit

Viewing Angle: 45 / 60 degree

Production Capacity :200000 Pieces / Week

Payment Term: L/C, T/T, Paypal, Western Union, Trade Assurance



More energy saving



High brightness



Durable



High-quality materials

PRODUCT PARAMETERS

Features:

1. High purity aluminum nitride stent, low thermal resistance, good heatdissipation
2. Automated packaging, molding process, product consistency is good
3. Low spectral range, good uniformity
4. Light angle is small, high illumination
5. The package set tube, ESD protection capability
6. Strict reliability test, high reliability

PRODUCTION PROCESS



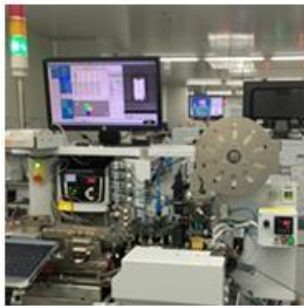
Die Bond



Wire Solder



Compression Moulding



Taping



Spectrometer



Slicing

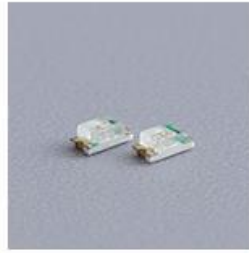
RELATED PRODUCTS



3mm IR LED



5mm IR LED



SMD 0603 IR LED



SMD 0805 IR LED



SMD 1206 IR LED



SMD 3528 IR LED



SMD 3535 IR LED



SMD 4040 IR LED

Applications:

Surveillance Systems/CCTV

License Plate Scanning

Automotive Sensing

Machine Vision

Night Vision

Medical hairdressing

APPLICATIONS



[LED Usage Notes]:

Electrostatic Protection

1. Workbench contacting the LED product should be covered with protective electrical tape and be reliably grounded;
2. The personnel should wear an electrostatic wristband (preferably a wired electrostatic ring) and protective gloves when touching the LED. It is best to wear anti-static clothes, static shoes and electrostatic caps when conditions permit.
3. The machine and equipment that touch the LED in the application process must be grounded reliably, such as: soldering iron, cutting machine, bending machine, and welding equipment. It is also possible to install a plasma fan to eliminate static electricity.
4. in use or in the design of electronic circuits must consider excessive current

WHY CHOOSE US



Customized design is available, OEM and ODM are welcomed.



We have best production capability, best quality control, best service.



Reply your inquiry in 24 working hours.



Customized design is available, OEM and ODM are welcomed.

CERTIFICATION



ABOUT US

Dongguan Zhiding Electronics Technology Co., LTD is a high-tech enterprise specialized in manufacturing, designing and selling high quality LED lighting and LED related products. Zhaoqing Factory has more than 1000 employees, including more than 80 technicians focused on research and development.

We have advanced testing equipment, can be "normal temperature continuous light life test", "high temperature and high humidity cycle test", "cold and hot shock cycle test" and "high and low temperature storage test", "high and low temperature continuous light test", "salt spray test" and reliability test, for all kinds of product reliability test of periodic on a regular basis, provides the high quality for our product quality assurance.



COOPERATIVE CLIENT



Q1. What is the MOQ(Minimum Order Quantity)?

A4, For new customers, they can place a trial order to test the product's quality and then sales in their markets.

Q2. Can you provide customization and OEM service?

A2. Yes, we offer customization and OEM service, please tell us your requirements clearly.

Q3. Will you deliver the right goods as ordered? How can I trust you?

A3. Yes, we will. The core of our company culture is honesty and credit. We warmly welcome customers or their agents or third parties to visit our factory for detailed inspections. We respect customers' designs, sales area competition, design ideas, and all of your private information.

Q4. Can you deliver in sufficient quantities all the time?

A4. For general products, we have stock, and shipment occurs within 3 days once we receive payment. For large orders, we hope customers place orders 15 days in advance.

Q5. Can your company customize products as I require and put my LOGO on them?

A5. All of our products are designed and customized as required, including color, print, pattern, and LOGO.

Contact us

Elsa Xiao

Overseas Sales Manager

Dongguan Zhiding Electronics Technology CO., LTD

Add: No. 8, Yinling Street, Xiaqiao, Dongcheng District, Dongguan, Guangdong, China

Web: <http://www.allightled.com/>

E-mail: sales@zhidingled.com

Skype: elsa.xiao0418

Mobile/WhatsApp: 86-13412570091

Tel: 86-769-22665151

Fax: 86-769-22665155

WELCOME TO CONTACT US>>>>WWW.ZHIDINGLED.COM



Overseas Sales Manager

Elsa Xiao

E-mail: sales@zhidingled.com

Skype: elsa.xiao0418

Mobile: 86-13412570091

WhatsApp: 86-13412570091

Tel: 86-769-22665151

Fax: 86-769-22665155