

UV curing 365nm led

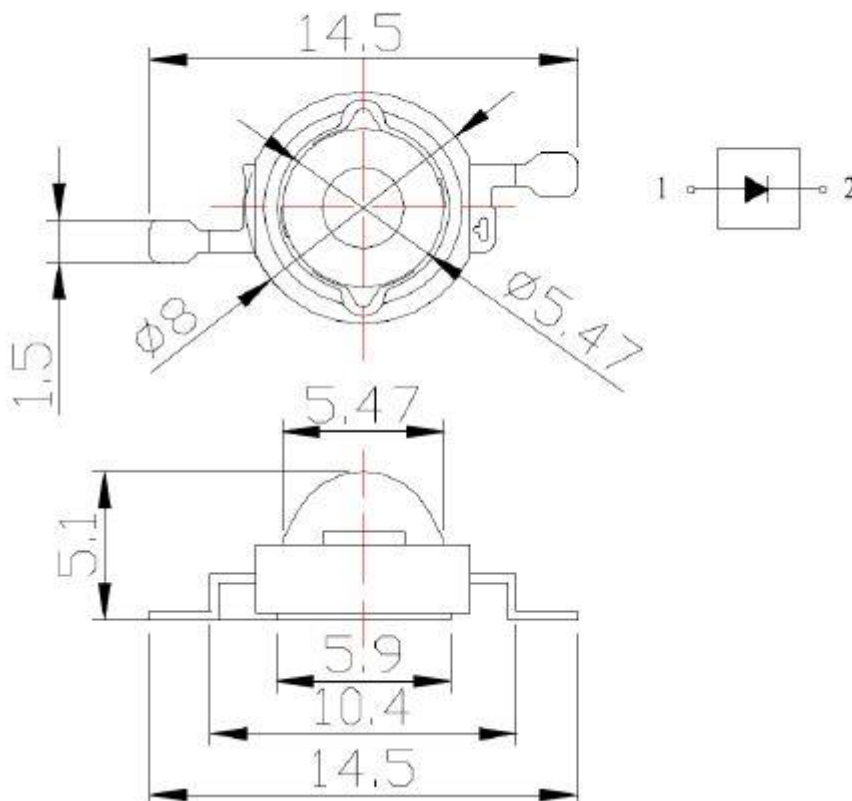
UV LED 365-405nm is commonly used for UV printing, ink drying, UC curing, etc.

A process in which ultraviolet (UV) is used to illuminate a liquid "UV-irradiated hardenable material" to harden it, which we call "UV Curing Process".

UV curing is a type of radiation curing. Radiation curing is the use of electromagnetic radiation (such as ultraviolet UV or electron beam EB irradiation coating) to produce radiation polymerization, radiation cross linking and other reactions. The chemical process of rapidly converting low molecular weight substances into high molecular weight products. The system contains no solvent or a very small amount of solvent. After irradiation, the liquid film is almost 100% solidified, so VOC (volatile organic compound) emissions are very low. Therefore, since the late 1960s, this technology has developed rapidly in the world, and its products have been widely used in many industries.

Below, let us know more about 1-3W 365nm UV high power led.

Package Dimensions





UV 365nm led Parameter under $I_F = 350\text{mA}$

Emitting Colour: UV Wave Length 365nm - 370nm

Quantity: 1 Piece

DC Forward Voltage: 3.4V - 3.8V

DC Forward Current: 700mA

Luminous Intensity: 120~200mW

Viewing Angle: 140 Degree

Typical Features of UV led:

1. Long service life
2. Significant energy saving effect
3. No heat radiation
4. Small size
5. The main peak is narrow, single, and concentrated
6. UV-LED operating temperature is low
7. Instant light

8. Environmental protection

More UV leds for your review

RELATED PRODUCTS



High Power UV
365nm LED



High Power UV
405nm LED



High Power UV
4040 LED



High Power UV C LED

WHY CHOOSE US



Customized design is available, OEM and ODM are welcomed.



We have best production capability, best quality control, best service.



Reply your inquiry in 24 working hours.



Customized design is available, OEM and ODM are welcomed

CERTIFICATION



ABOUT US

Dongguan Zhiding Electronics Technology Co., LTD is a high-tech enterprise specialized in manufacturing, designing and selling high quality LED lighting and LED related products. Zhaoqing Factory has more than 1000 employees, including more than 80 technicians focused on research and development.

We have advanced testing equipment, can be "normal temperature continuous light life test", "high temperature and high humidity cycle test", "cold and hot shock cycle test" and "high and low temperature storage test", "high and low temperature continuous light test", "salt spray test" and reliability test, for all kinds of product reliability test of periodic on a regular basis, provides the high quality for our product quality assurance.



COOPERATIVE CLIENT

F&C®

SUGA®

OPT®
Machine Vision

USI®
Realizing IDEAS Together

mega
cell_{line}

UCHI

BlueSky

TOPBAND

BiROD

vtech®

Shipping:

We provide EMS DHL UPS FedEx TNT that several different types of express allows you to select, under normal circumstances, the transport time is in 3 to 7 days or so, if large cargo, by sea or by air shipping, so time is longer, But safer, and the freight is lower.

SHIPPING



FAQ:

Q1. What payment way do you accept?

A1. T/T, Paypal, Western Union and Visa Card are available.

Q2. It is OK to print my LOGO on the led product?

A2. Yes, please inform us formally before our production and confirm the design firstly based on our sample.

Q3. How long will it take for delivery?

A3. After we finish samples or goods, will take 3-7 days to arrive your city.

Q4. Can I print my LOGO on the label?

A4. Yes, we can do it, please provide your LOGO information clearly to us.

Q5. Can we get support if we have our own market position?

A5. Please inform us your detailed mind on your market demand, we will discuss and propose helpful suggestion for you, to find the best solution for you.

In the absence of inventory, we will arrange production as soon as possible according to customer needs. Providing quality service to customers is the basic premise of our Sales. Welcome to inquire about our products!

WELCOME TO CONTACT US>>>>WWW.ZHIDINGLED.COM



Oversea Sales Manager

Elsa Xiao

E-mail:sales@zhidingled.com

Skype: elsa.xiao0418

Mobile: 86-13412570091

WhatsApp: 86-13412570091

Tel: 86-769-22665151

Fax:86-769-22665155

365nm UV curing led we are on discount now. SMD type or lamp type or high power type UV led, we all can provide. PCBA customized service is also available.

[Click here to Home Page](#)